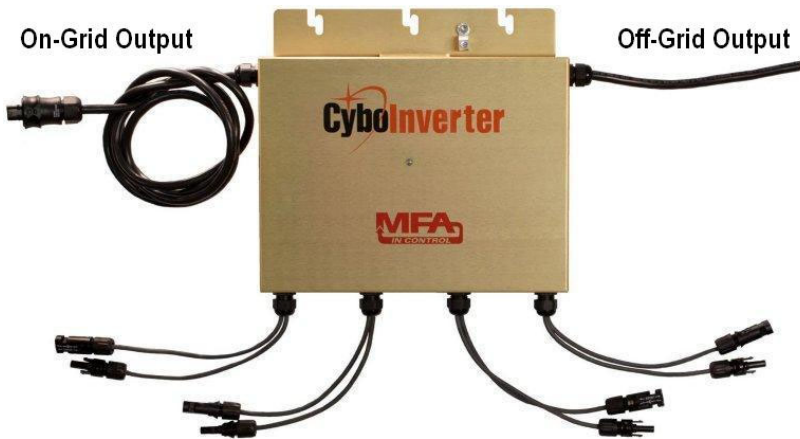


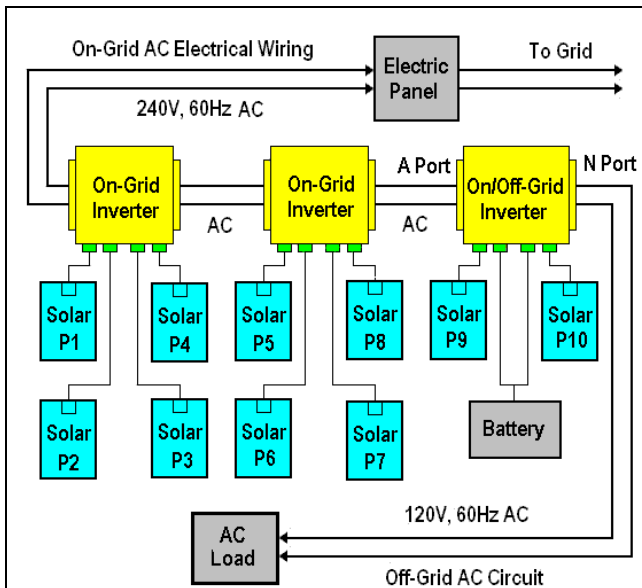


The World's First On/Off-Grid Solar Power Mini-Inverter



- **On-Grid or Off-Grid Mode**
- **Specially Designed to Provide Backup Power When the Grid is Down**
- **Four DC Input Channels for Solar or Battery Input**
- **Over Discharge Protection for 48V Lead-Acid Batteries**
- **Pure Sinewave AC Output**
- **MPPT for Each Solar Panel**
- **Outdoor or Indoor Mounting**

Each CyboInverter (CIM-1200A/N) can connect to 4 solar or battery DC sources and produce 1250W, 240V, 60Hz AC to the grid when grid is on, or 120V, 60Hz AC to an off-grid circuit to run AC loads.



When the grid is on, the inverter works like a regular on-grid inverter that meets UL1741 and IEEE1547 standards having over / under voltage shutdown; over / under frequency shutdown; and anti-islanding.

When the grid is down, the inverter will shutdown immediately and send a test signal from its off-grid output port to check the status of the connected off-grid AC circuit. If there is no AC present and an AC load is detected, it will generate AC to power the load.


In the off-grid mode, when the inverter detects the grid is back on, it will stop powering the load. After a 5-minute UL mandatory wait, the inverter will send AC power to the grid again.

The drawing shows 2 on-grid and 1 on/off-grid CyboInverters daisy-chained as a group.

Product: 4 Channel 1.25KW On/Off-Grid CyboInverter for Solar & Battery
Part No: CIM-1200A/N Maximum CyboInverters per 20A Branch Circuit: 3-4

Made In U.S.A.

Technical Data of CIM-1200A/N (Rev 6.6 – Jan 2024)

DC Input (per Channel)	60/66 Cell Panel	72 Cell Panel*	Battery
Supported Input Power	250W – 400W	300W – 450W	48V, 50-300AH
Operating Input DC Voltage Range	18V – 60V	18V – 60V	47V – 60V
Peak Power Performance Range	30V – 60V	30V – 60V	48V – 60V
Maximum Input DC Voltage / Current	60V / 11.5A	60V / 11.5A	60V / 11.5A
Maximum Input Power	330W	330W	330W
Minimum Starting Voltage	20V	20V	47V
Compatible Batteries	48V Lead-Acid Deep-Cycle AGM or Lithium-Ion Pack		
AC Output	On-Grid, A Port	Off-Grid, N Port	
Rated Output Power / Peak Output Power	960W / 1250W	960W / 1250W	
Nominal Output Current (RMS)	4A	8A	
Nominal Output Voltage / Range	240V (211V – 264V)	120V (108V – 132V)	
Nominal Frequency / Range	60Hz (59.3 – 60.5) Hz	60Hz (59.5 – 60.5) Hz	
Power Factor / Harmonic Distortion	>0.95 (THD < 4%, 2 nd Harmonic < 1%)		
Efficiency	Data		
Peak Efficiency / Solar MPPT Tracking	96% / 99%		
Mechanical Data	SI	U.S.	
Ambient Temperature Range	-40°C to +65°C	-40°F to +149°F	
Internal Operating Temperature Range	-40°C to +88°C	-40°F to +190°F	
Dimensions w/o mounting bracket (L x H x W)	32cm x 24cm x 5.8cm	12.5" x 9.5" x 2.3"	
Weight	6.5 kg	14.25 lbs	
Cooling / Enclosure	Natural Convection, No Fan / Potted		
DC Wire / AC Wire	1-2 Feet DC Wires / 10 Feet AC Wires (THHN), Copper		
Compliance and Features	Data		
Safety and EMC Compliance	UL1741 and IEEE1547 (E113426), CSA 107.1, FCC Part 15 Class A.		
Rapid Shutdown	Complies with NEC 2014/2017 690.12		
DC Ground Fault Detector Interrupter (GFDI)	Built-In		
Standard Warranty	3 Years (Extended Warranty Available)		
Enclosure Environmental Rating / Safety	Outdoor, NEMA 6 (IP67) / Transformer Isolated Circuits		
Built-in Battery Over Discharge Protection	Low Voltage Disconnect (LVD) on Battery Channels.		

*Do not use 72-cell solar panels in areas where temperature can get below -10 degrees F (-23 degrees C).